

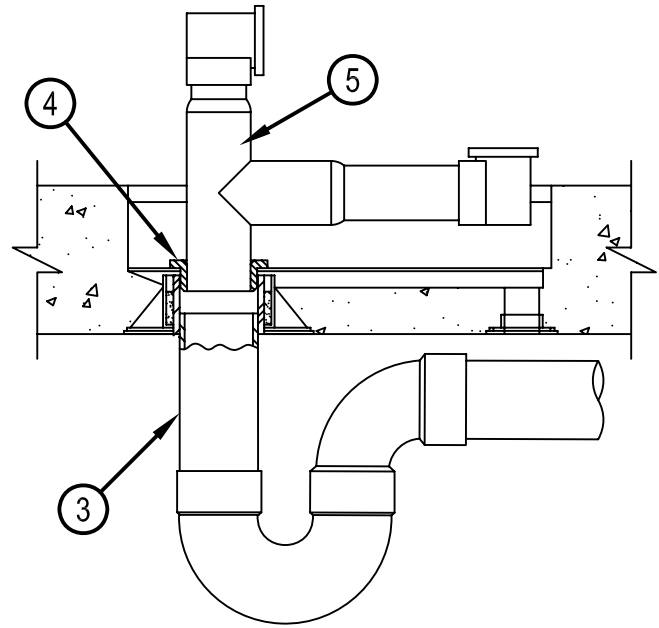
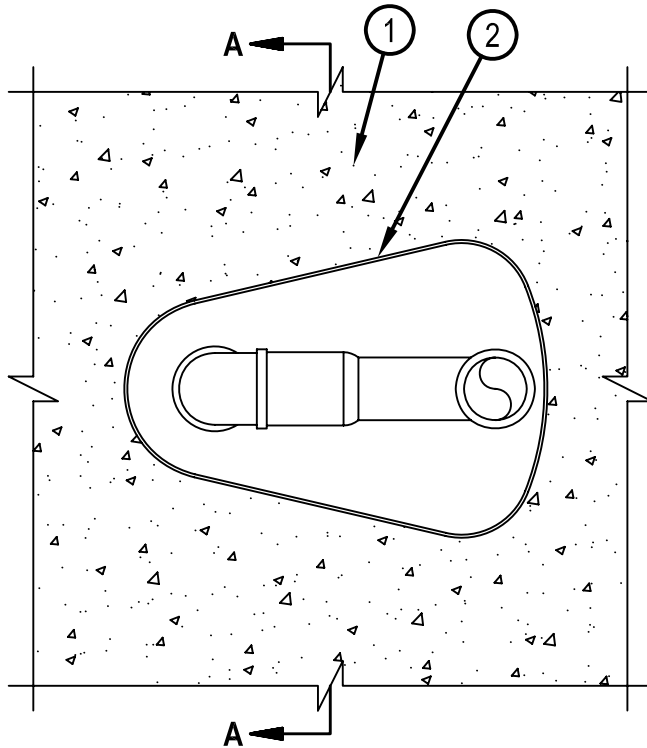


Classified by
Underwriters Laboratories, Inc.
to UL 1479

System No. F-A-2094

F Rating -- 3 Hr
T Rating -- 3/4 Hr
W Rating -- Class 1

FA 2094



SECTION A-A

1. Floor Assembly -- Min 4-1/2 in. thick reinforced lightweight or normal weight (100-150 pcf) concrete.
2. Firestop Device*- Tub Box -- Nom 8-1/2 by 12 by 2 in. deep acrylonitrile butadiene styrene (ABS) tub box with adjustable legs and intumescent coupling. Cast in place firestop device attached to form and permanently embedded during concrete placement or grouted in concrete assembly in accordance with accompanying installation instructions. Min concrete thickness of 2 in. shall be maintained below tub box.
HILTI CONSTRUCTION CHEMICALS, DIV OF HILTI INC -- CP 681 Tub Box Kit
3. Drain Piping -- Nom 2 in. diam Schedule 40 polyvinyl chloride (PVC) cemented together and cemented within the device. Drain piping rigidly supported away from tub box with suitable hangers.
- 3A. Alternate Drain Piping -- (Optional - Not Shown) - Nom 2 in. diam PVC pipe cemented within device. Cast iron P trap secured to PVC pipe with a compression coupling. Drain piping rigidly supported away from tub box with suitable hangers.
4. Tub Box Seal -- Elastomeric tub box seal (supplied with tub box kit) sized to accommodate 1-1/2 in. PVC waste/overflow fitting. Seal seated from top within device coupling.
5. Waste/Overflow Fitting -- Nom 1-1/2 in. diam Schedule 40 or thin wall polyvinyl chloride (PVC) waste/overflow fitting.

*Bearing the UL Classification Mark



Hilti Firestop Systems

Reproduced by HILTI, Inc. Courtesy of
Underwriters Laboratories, Inc.
February 24, 2006