

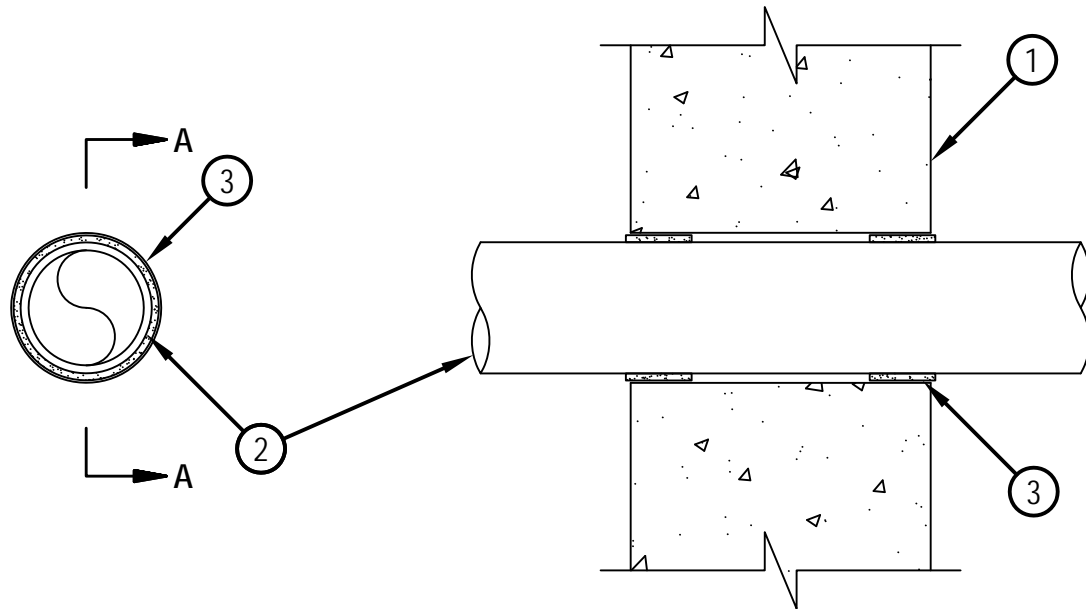


Classified by
Underwriters Laboratories, Inc.
to UL 1479

System No. W-J-2101

F Rating - 1 Hr
T Rating - 1 Hr

WJ 2101



SECTION A-A

1. Wall Assembly -- Min 4-3/4 in. thick reinforced lightweight or normal weight (100-150pcf) concrete. Wall may also be constructed from any UL Classified Concrete Blocks*. Max diam of opening is 4 in.

See Concrete Blocks category in the Fire Resistance Directory for names of manufacturers.

2. Through Penetrants -- One nonmetallic pipe to be centered within the firestop system. A nom annular space of 1/4 in. is required within the firestop system. Pipe to be rigidly supported on both sides of wall assembly. The following types and sizes of nonmetallic pipes may be used:

A. Polyvinyl Chloride (PVC) Pipe -- Nom 3 in. diam (or smaller) Schedule 40 solid or cellular core PVC pipe for use in closed (process or supply) or vented (drain, waste or vent) piping systems.

B. Chlorinated Polyvinyl Chloride (CPVC) Pipe -- Nom 3 in. diam (or smaller) SDR 13.5 CPVC pipe for use in closed (process or supply) piping systems.



Hilti Firestop Systems

Reproduced by HILTI, Inc. Courtesy of
Underwriters Laboratories, Inc.

April 25, 2005



Classified by
Underwriters Laboratories, Inc.
to UL 1479

System No. W-J-2101

F Rating - 1 Hr
T Rating - 1 Hr

WJ 2101

3. Fill, Void or Cavity Material - Wrap Strip -- Nom 3/16 in. thick by 1-3/4 in. wide intumescent wrap strip. The wrap strip is wrapped around the outer circumference of the pipe once and secured with tape or tie wire. Wrap strip slid into annular space such that edge projects 1/8 in. beyond surface of wall. Wrap strip installed on each surface of wall.

HILTI CONSTRUCTION CHEMICALS, DIV OF
HILTI INC -- CP648-E-W45/1-3/4" Firestop Wrap Strip

A. Fill, Void or Cavity Material* -- Wrap Strip -- (As an alternate to the wrap strip in Item 3 on nom 1-1/2", 2" and 3" diam pipes only) - Nom 3/16 in. thick by 1-1/2, 2, or 3 in. wide intumescent wrap strip. One layer of intumescent wrap strip is tightly wrapped around the pipe with ends butted and held in place with integrated tape. Wrap strip slid into annular space such that edge projects 1/8 in. beyond surface of wall. Wrap strip installed on each surface of wall.

HILTI CONSTRUCTION CHEMICALS, DIV OF
HILTI INC -- CP648-S-1.5" US, CP 648-S-2" US, CP648-S-3" US

*Bearing the UL Classification Mark



Hilti Firestop Systems

Reproduced by HILTI, Inc. Courtesy of
Underwriters Laboratories, Inc.
April 25, 2005

Page: 2 of 2